

E5070B-17

S E R V I C E N O T E

Supersedes:
NONE

E5070B - ENA Series Network Analyzer, 300 kHz to 3 GHz

Serial Numbers:

"JP1KK00001 to JP1KK99999, MY42100001 to MY44999999, SG42100001 to SG44999999"

"To strengthen the front USB receptacle, add USB receptacle retention plate"

Parts Required:

P/N	Description	Qty.
E5062-04003	Cover USB Small	1

ADMINISTRATIVE INFORMATION

SERVICE NOTE CLASSIFICATION:	
MODIFICATION AVAILABLE	
ACTION CATEGORY::	AGREEABLE TIME
	<input type="checkbox"/> PERFORMANCE ENHANCEMENT <input checked="" type="checkbox"/> SERVICE / RELIABILITY ENHANCEMENT
LOCATION CATEGORY:	<input type="checkbox"/> CUSTOMER INSTALLABLE <input type="checkbox"/> ON-SITE <input checked="" type="checkbox"/> SERVICE CENTER <input type="checkbox"/> CHANNEL PARTNERS
	AVAILABILITY: Until End Of Support
AUTHOR: jm	PRODUCT LINE: WN
ADDITIONAL INFORMATION:	

© AGILENT TECHNOLOGIES, INC. 2009
PRINTED IN U.S.A.

November 11, 2009

Rev. 16

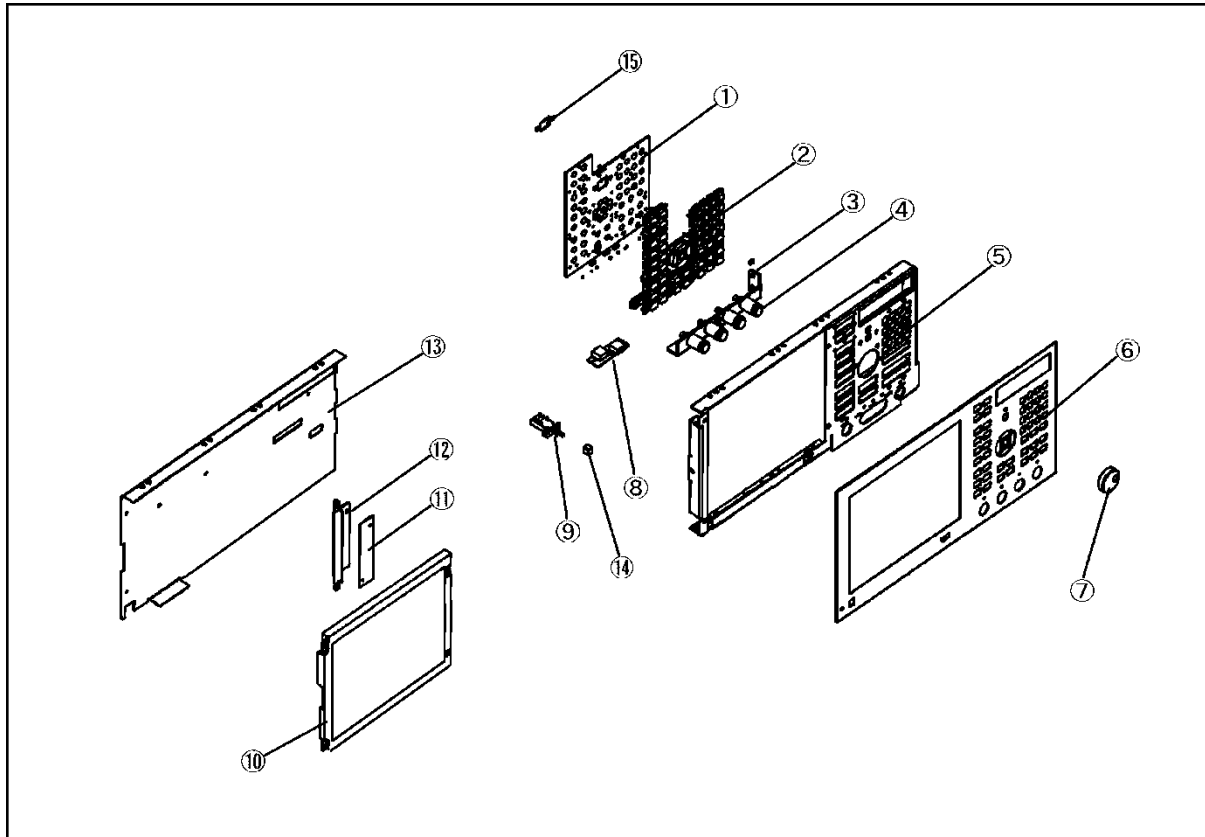


Situation:

In case the front USB receptacle (E5070-66533) becomes loose, add USB receptacle retention plate (E5062-04003) to strengthen the front USB receptacle.

Solution/Action:

Figure 5-31 Front Panel

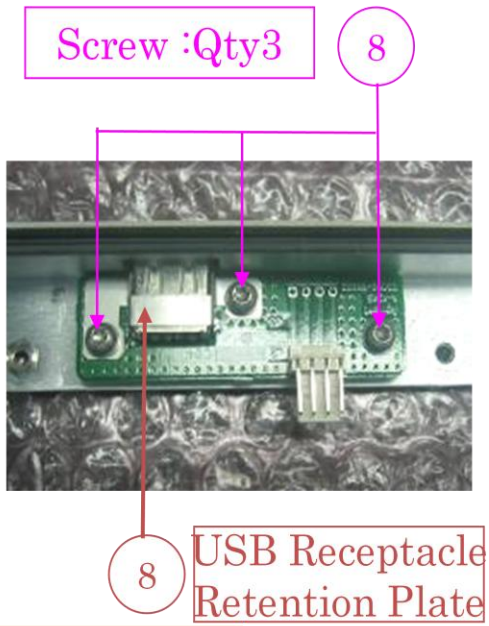


e5070bse3007

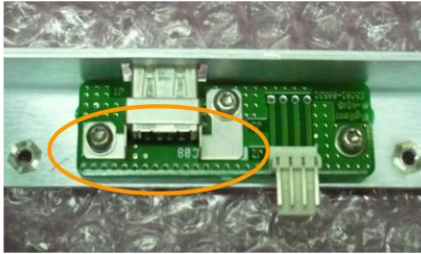
1. Remove three pieces of screws. (See Reference Designator #8 of Figure 5-31 and Table 5-31 in the service manual)
2. Add USB receptacle retention plate.
3. Add the removed screws (See Reference Designator #8 of Figure 5-31 and Table 5-31 in the service manual) with 9 in-lb torque driver/T10 bit

Note: Pay attention to the direction of the USB receptacle retention plate.

Correct Direction



Wrong Direction



- End Of Document -