

# E5062A-07

## S E R V I C E N O T E

Supersedes:  
NONE

"E5062A ENA Series Network Analyzer, 300 kHz to 3 GHz"

Serial Numbers: "MY44100001 to MY44205754"

**"To strengthen the front USB receptacle, add USB receptacle retention plate"**

**Parts Required:**

P/N	Description	Qty.
E5062-04003	Cover USB Small	1

### ADMINISTRATIVE INFORMATION

SERVICE NOTE CLASSIFICATION:	
<b>MODIFICATION AVAILABLE</b>	
ACTION CATEGORY::	AGREEABLE TIME
	<input type="checkbox"/> PERFORMANCE ENHANCEMENT <input checked="" type="checkbox"/> SERVICE / RELIABILITY ENHANCEMENT
LOCATION CATEGORY:	<input type="checkbox"/> CUSTOMER INSTALLABLE <input type="checkbox"/> ON-SITE <input checked="" type="checkbox"/> SERVICE CENTER <input type="checkbox"/> CHANNEL PARTNERS
	AVAILABILITY: Until End Of Support
AUTHOR: jm	PRODUCT LINE: WN
ADDITIONAL INFORMATION:	

© AGILENT TECHNOLOGIES, INC. 2009  
PRINTED IN U.S.A.

October 30, 2009  
Rev. 16

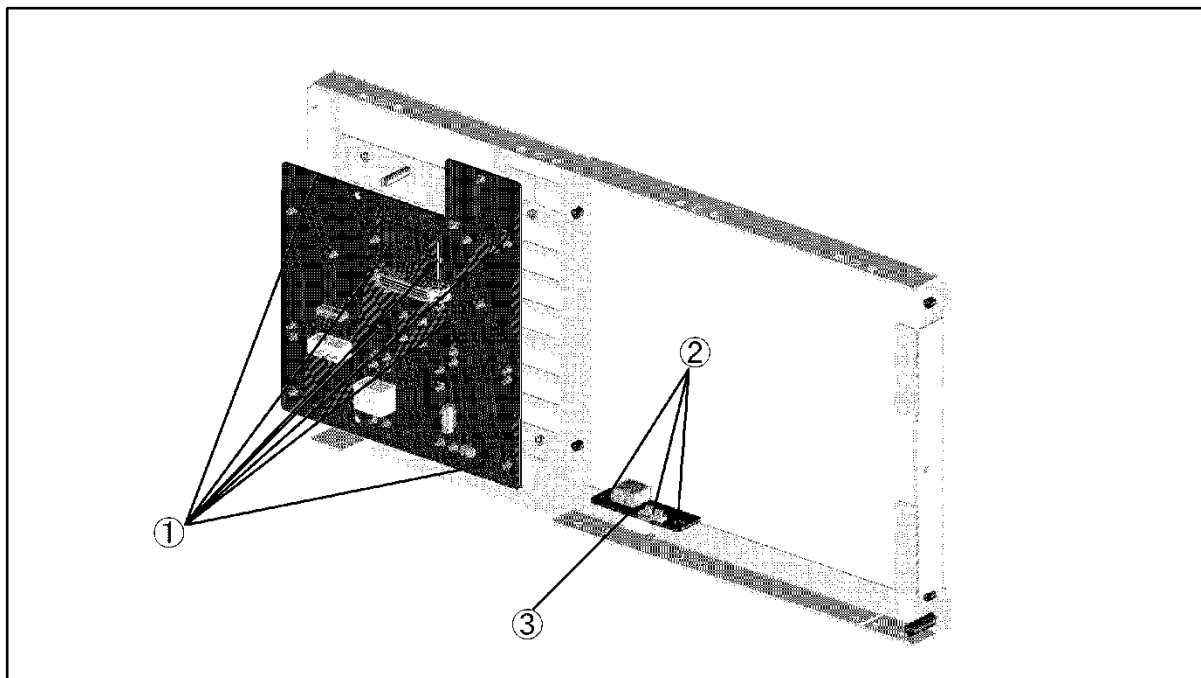


**Situation:**

In case the front USB receptacle (E5062-66532) becomes loose, add USB receptacle retention plate (E5062-04003) to strengthen the front USB receptacle.

**Solution/Action:**

Figure 5-18 Front Assembly (Front Keyboard / USB)

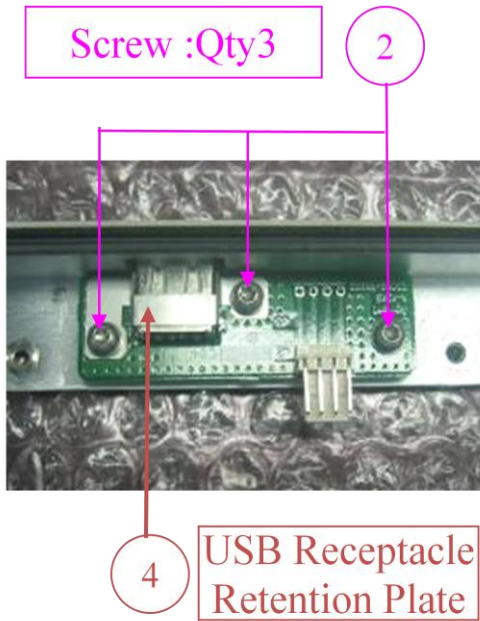


e5061ase021

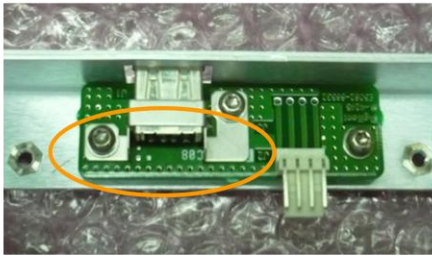
1. Remove three pieces of screws. (See Reference Designator #2 of Figure 5-18)
2. Add USB receptacle retention plate.
3. Add the removed screws (See Reference Designator #2 of Figure 5-18) with 9 in-lb torque driver/T10 bit

Note: Pay attention to the direction of the USB receptacle retention plate.

**Correct Direction**



**Wrong Direction**



- End Of Document -