

# E5061A-07

## S E R V I C E N O T E

Supersedes:  
NONE

"E5061A ENA Series Network Analyzer, 300 kHz to 1.5 GHz"

Serial Numbers: "MY44100001 to MY44205885"

"To strengthen the front USB receptacle, add USB receptacle retention plate"

**Parts Required:**

| P/N         | Description     | Qty. |
|-------------|-----------------|------|
| E5062-04003 | Cover USB Small | 1    |

### ADMINISTRATIVE INFORMATION

|   |   |
|---|---|
| SERVICE NOTE CLASSIFICATION:  |   |
| <b>MODIFICATION AVAILABLE</b>   |   |
| ACTION CATEGORY:: AGREEABLE TIME  | <input type="checkbox"/> PERFORMANCE ENHANCEMENT<br><input checked="" type="checkbox"/> SERVICE / RELIABILITY ENHANCEMENT |
| LOCATION CATEGORY: <input type="checkbox"/> CUSTOMER INSTALLABLE<br><input type="checkbox"/> ON-SITE<br><input checked="" type="checkbox"/> SERVICE CENTER<br><input type="checkbox"/> CHANNEL PARTNERS | AVAILABILITY: Until End Of Support  |
| AUTHOR: jm  | PRODUCT LINE: WN  |
| ADDITIONAL INFORMATION:   |   |

© AGILENT TECHNOLOGIES, INC. 2009  
PRINTED IN U.S.A.

October 30, 2009

Rev. 16

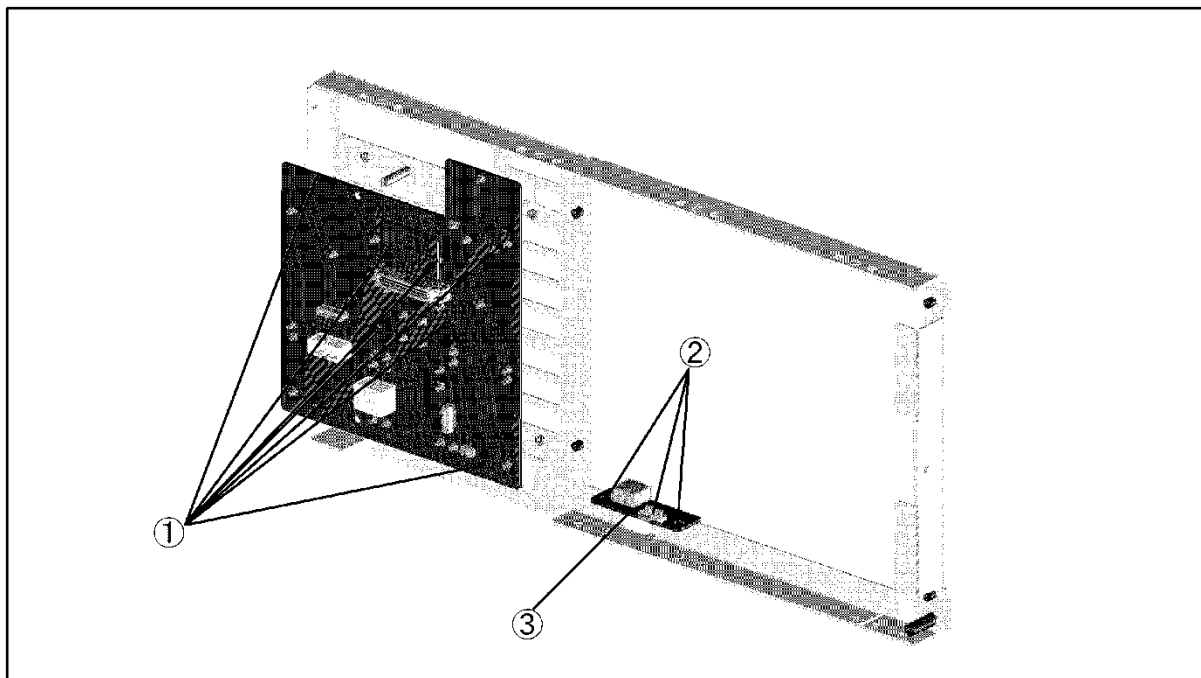


**Situation:**

In case the front USB receptacle (E5062-66532) becomes loose, add USB receptacle retention plate (E5062-04003) to strengthen the front USB receptacle.

**Solution/Action:**

Figure 5-18 Front Assembly (Front Keyboard / USB)

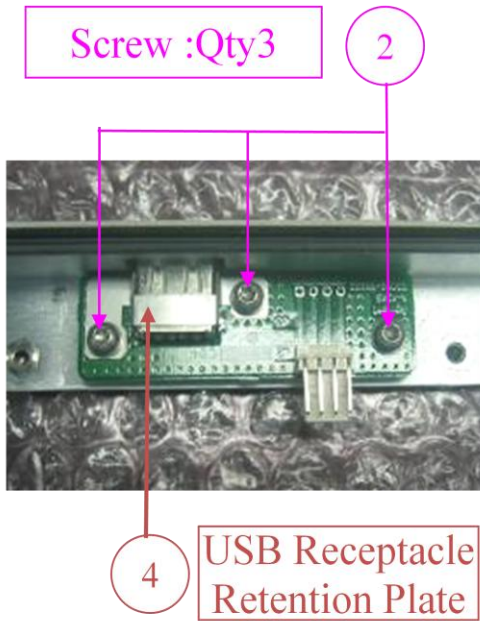


e5061ase021

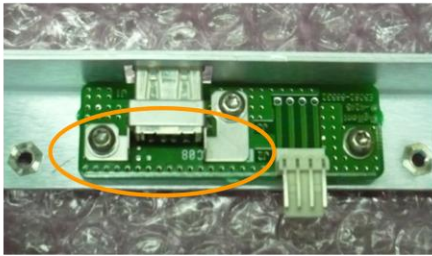
1. Remove three pieces of screws. (See Reference Designator #2 of Figure 5-18)
2. Add USB receptacle retention plate.
3. Add the removed screws (See Reference Designator #2 of Figure 5-18) with 9 in-lb torque driver/T10 bit

Note: Pay attention to the direction of the USB receptacle retention plate.

**Correct Direction**



**Wrong Direction**



- End Of Document -