

Supersedes:

None

HP MODEL 8568A/B SPECTRUM ANALYZER

Serial Prefix 2517A and Above

**RACK MOUNTING WITH SLIDES (OPTION 010)
METRIC SYSTEM II CABINET PARTS**

The following is a list of metric hardware and instructions required to mount an HP 8568A/B with slides in a rack of 482.6 mm (19 in.) spacing or in non-HP racks.

Description	Qty	HP Part Number	CD
SIDE COVER	1	5060-9937	3
RACK MOUNT KIT	1	5061-9686	1
includes:			
Rack Mount Flange	2	5020-8877	4
Front Handle Assembly	2	5061-9502	0
M4x0.7x16 Pan-Head Screw	8	0515-1106	2
HEAVY DUTY SLIDE KIT	1	1494-0058	6
includes:			
Modified Slides	2	—	
M5x0.8x12 Pan-Head Screw	8	0515-0904	6
M5x0.8x10 Pan-Head Screw	4	0515-0927	3
M5x0.8x12 F.H.M. Screw	6	0515-0956	8
M5x0.8 Unistrut Nut	8	0535-0079	8
SLIDE ADAPTER KIT (for non-HP racks)	1	1494-0064	4
includes:			
Adapter Bracket	2	—	
M5x0.8 Bar Nuts	4	—	
M5x0.8x12 Pan-Head Screw	12	0515-0904	6
M4x0.8x12 F.H.M. Screw	4	0515-0956	8
M5x0.8 Nut W/Lock Washer	8	0535-0081	2

I/NS/WN

5/85-53/KGB



**HEWLETT
PACKARD**

FOR MORE INFORMATION, CALL YOUR LOCAL HP SALES OR SERVICE OFFICE or East (201) 265-5000 • Midwest (312) 255-9800 • South (404) 955-1500 • West (213) 970-7500 or (415) 968-9200 OR WRITE, Hewlett-Packard, 1820 Embarcadero, Palo Alto, California 94303. IN EUROPE, CALL YOUR LOCAL HP SALES OR SERVICE OFFICE OR WRITE, Hewlett-Packard S.A., 7, rue du Bois-du-Lan, P.O. Box, CH-1217 Meyrin 2-Geneva, Switzerland. IN JAPAN, Yokogawa-Hewlett-Packard Ltd., 1-27-15, Yabe Sagami-hara City, Kanagawa Prefecture, Japan 229.

PROCEDURE:

RACK MOUNT KIT

1. Remove the front handles from the RF Section and IF-Display Section of the spectrum analyzer. (See Figure 1.)
2. Attach the new rack mount flanges and front handles provided in the Rack Mount Kit. (See Figure 2.) Use the eight M4x0.7x16 pan-head screws included in this kit.
3. It may be necessary to remove the information card tray on the bottom of the instrument before rack mounting. To remove the tray, tilt the instrument on its side and remove the four feet. To retain the use of the information card on the instrument, do not remove feet; also, allow approximately 2 cm (3/4 in.) below the instrument to accommodate the tray when rack mounting. No filler strip is provided.

HEAVY DUTY SLIDE KIT

4. In the following description, the words "left" and "right" refer to the location of instrument assemblies as viewed from the front of the instrument. On the IF-Display Section (top box), remove the strap handle located on the left side cover. Next remove the IF-Display Section's right rear lock foot and right rear top foot. Slide the right side cover off to the rear, and replace it with the new side cover included in this kit. Replace the right rear lock foot and right rear top foot.
5. Attach one slide inner member bracket to each side of the instrument using two M5x0.8x10 pan-head screws per side (see Figure 3).

NOTE

When using non-HP System Rack Cabinets, skip steps 6 through 8 and proceed to step 9.

6. Insert two Unistrut nuts into each of the four vertical columns of the systems cabinet (four nuts in each side of the cabinet).
7. Bolt an outer slide mount to the Unistrut nuts in each side of the systems cabinet, using four M5x 0.8x12 pan-head screws per side.
8. Expand the outer slide mounts to their full length. Mount the instrument onto the system cabinet by bolting the outer slide mount to the inner member bracket on the instrument, using three M5x 0.8x12 flat-head screws per side.

NOTE

If any binding is encountered in the slides after mounting, it will be necessary to support the instrument and loosen the bolts to the Unistrut nuts (adapter brackets, for non-HP racks) at each side of the cabinet. Adjust the slides slightly until they operate freely. Re-tighten the bolts.

SLIDE ADAPTER KIT (for non-HP racks)

9. Using hole pattern "B" (see Figure 4), attach one adapter bracket to the front of each outer slide mount, using two M4x0.8x12 flat-head screws and nuts per bracket.
10. Using hole pattern "B", attach one adapter bracket to the rear of each outer slide mount, using two M5x0.8x12 pan-head screws and nuts per bracket.
11. Bolt an outer slide mount to each side of the system rack cabinet using M5x0.8x12 pan-head screws. Use the bar nuts provided in the kit if the rack mounting strips have through-holes.
12. Perform step 8.

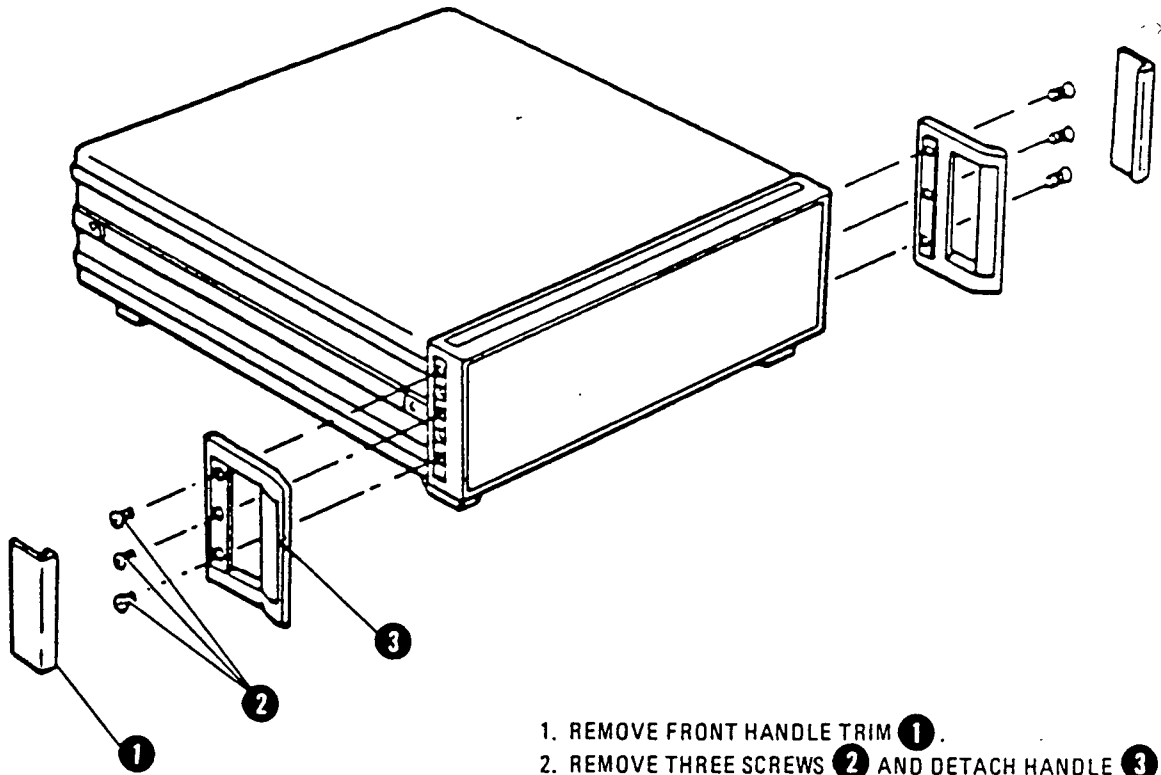


FIGURE 1. REMOVING FRONT HANDLES

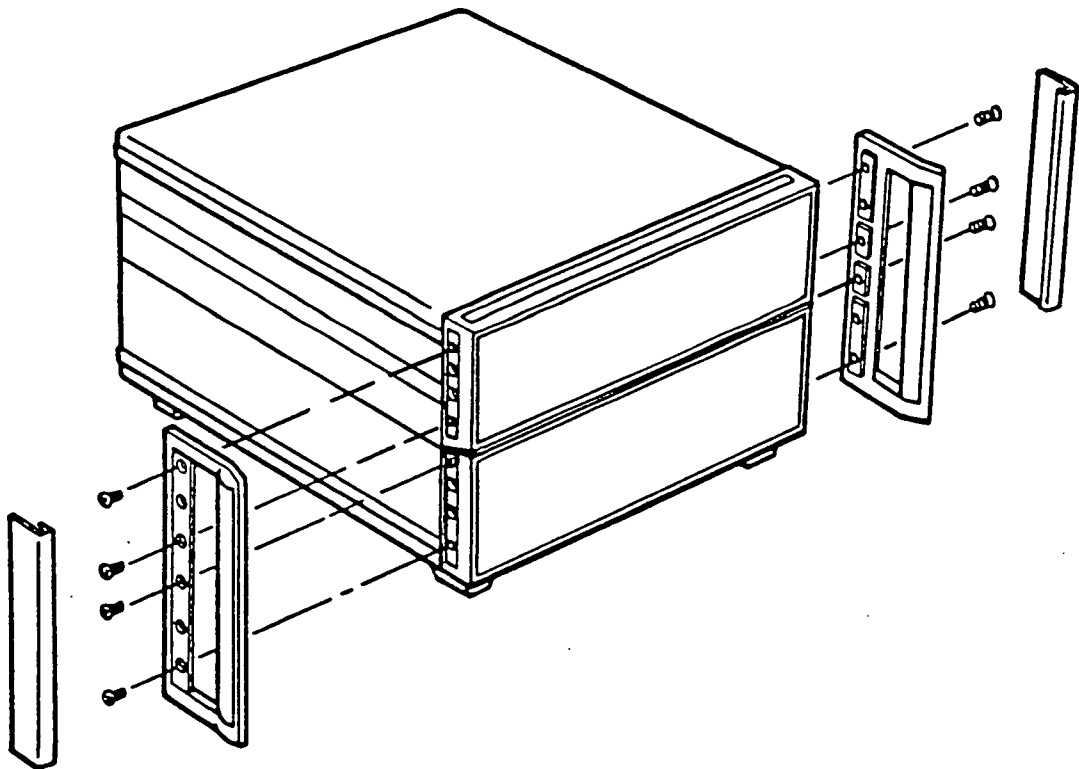


FIGURE 2. INSTALLING RACK MOUNT KIT

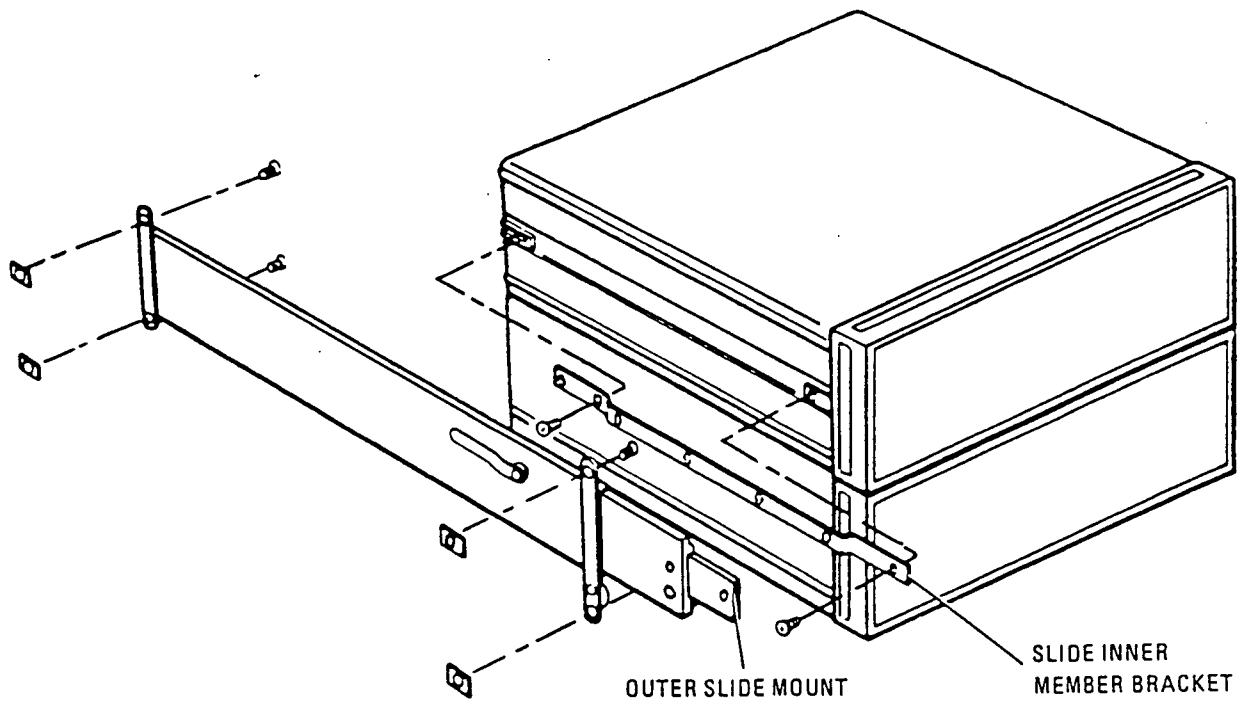


FIGURE 3. ATTACHING RACK MOUNT SLIDES

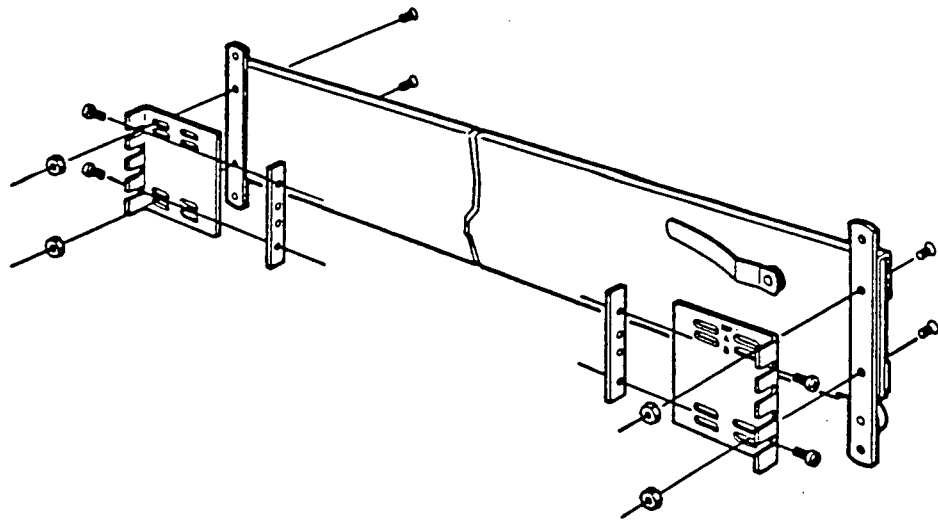


FIGURE 4. INSTALLING SLIDE ADAPTER