

MODIFICATION RECOMMENDED

6633B-09

S E R V I C E N O T E

Supersedes:
NONE

Agilent 6633B DC Power Module

Serial Numbers: ALL

There is a possible glitch on the output due to an AC Line sag between 23 VAC to 27 VAC.

Parts Required:

P/N	Description	Qty.
1901-1344	Diode	1

ADMINISTRATIVE INFORMATION

SERVICE NOTE CLASSIFICATION:			
MODIFICATION RECOMMENDED			
ACTION CATEGORY:	X ON SPECIFIED FAILURE <input type="checkbox"/> AGREEABLE TIME	STANDARDS	LABOR: 0.5 Hours
LOCATION CATEGORY:	<input type="checkbox"/> CUSTOMER INSTALLABLE <input type="checkbox"/> ON-SITE X SERVICE CENTER <input type="checkbox"/> CHANNEL PARTNER	SERVICE INVENTORY: <input type="checkbox"/> RETURN <input type="checkbox"/> SCRAP X SEE TEXT	USED PARTS: <input type="checkbox"/> RETURN <input type="checkbox"/> SCRAP X SEE TEXT
AVAILABILITY:	PRODUCT'S SUPPORT LIFE	NO CHARGE AVAILABLE UNTIL: 31-JAN-2012	
AUTHOR:	WIU	PRODUCT LINE: SP	
ADDITIONAL INFORMATION:			

© AGILENT TECHNOLOGIES, INC. 2011
PRINTED IN U.S.A.

January 11, 2011

Rev. 18



Situation:

There is a possible glitch on the output due to an AC line sag between 23 VAC to 27 VAC. The time length of the glitch pulse is about 1.9s and the power supplied is 2.8W.

It is caused by a condition in which the current offset and voltage offset DACs do not reset, when the current and voltage programming DACs reset during an AC line sag. This results in an op-amp that normally operates at -5V DC to operate in the positive direction, and drives the output of the 6633B on.

Solution/Action:

The solution is to implement a diode (P/N 1901-1344) that clamps the op-amp to 0.7 V. This prevents the op-amp from driving the output on, and does not affect it due to a normal operation at -5V DC.

The figures below show where to solder the diode (P/N 1901-1344) from R358 to C345 on the A1 main board.

No calibration is necessary.

Figure 1. A1 Board Layout



Figure 2. A1 Board Layout

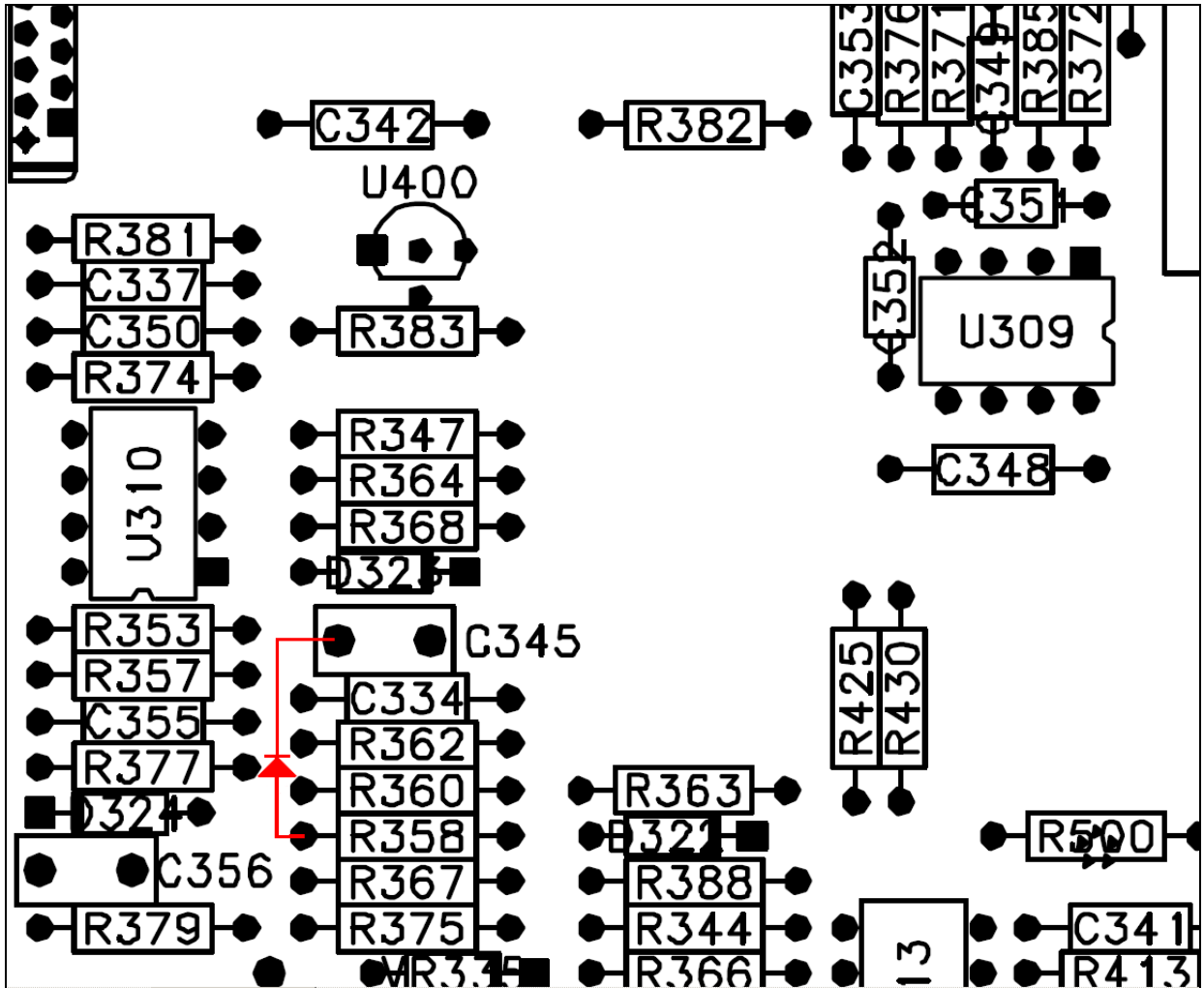


Figure 3. Through-hole Board

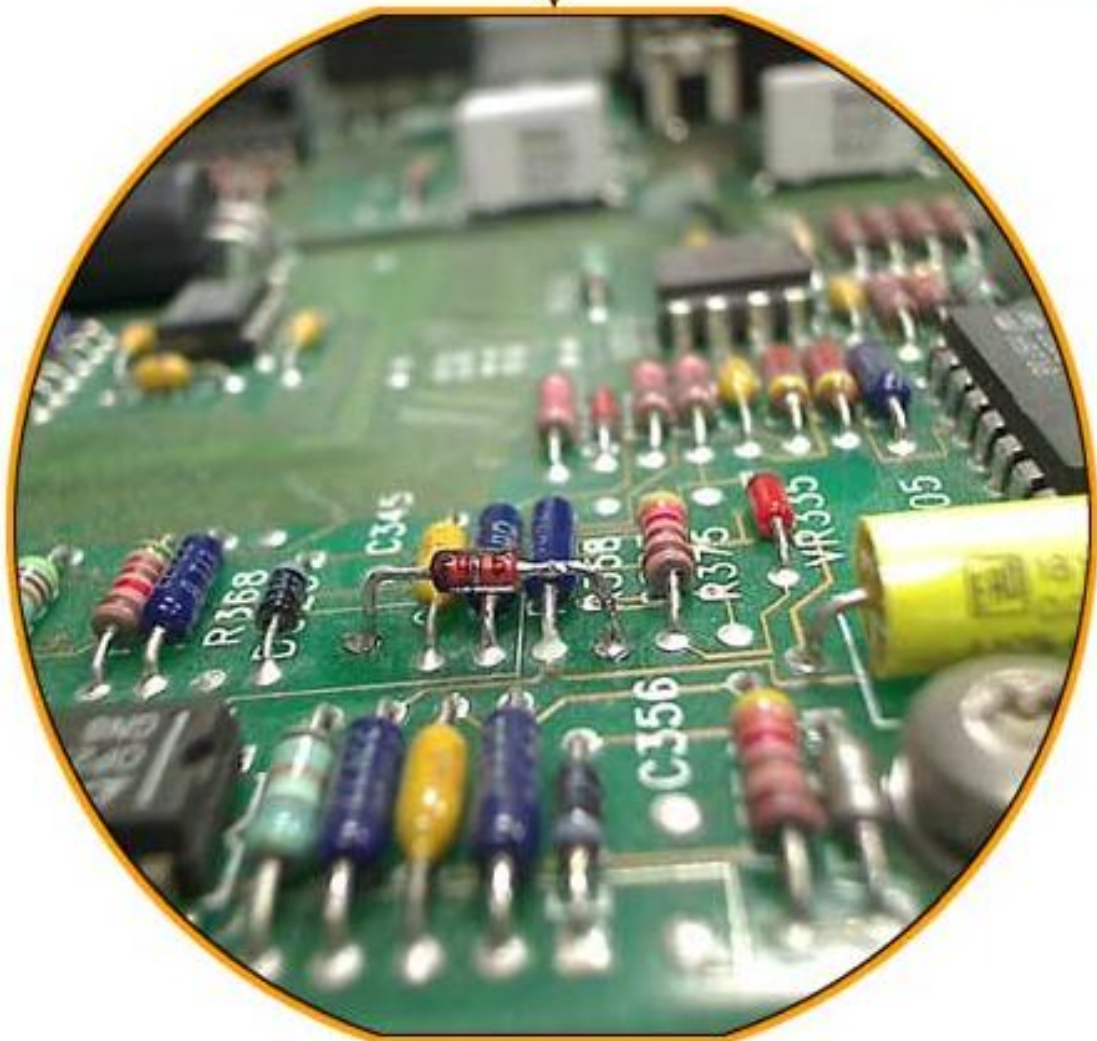
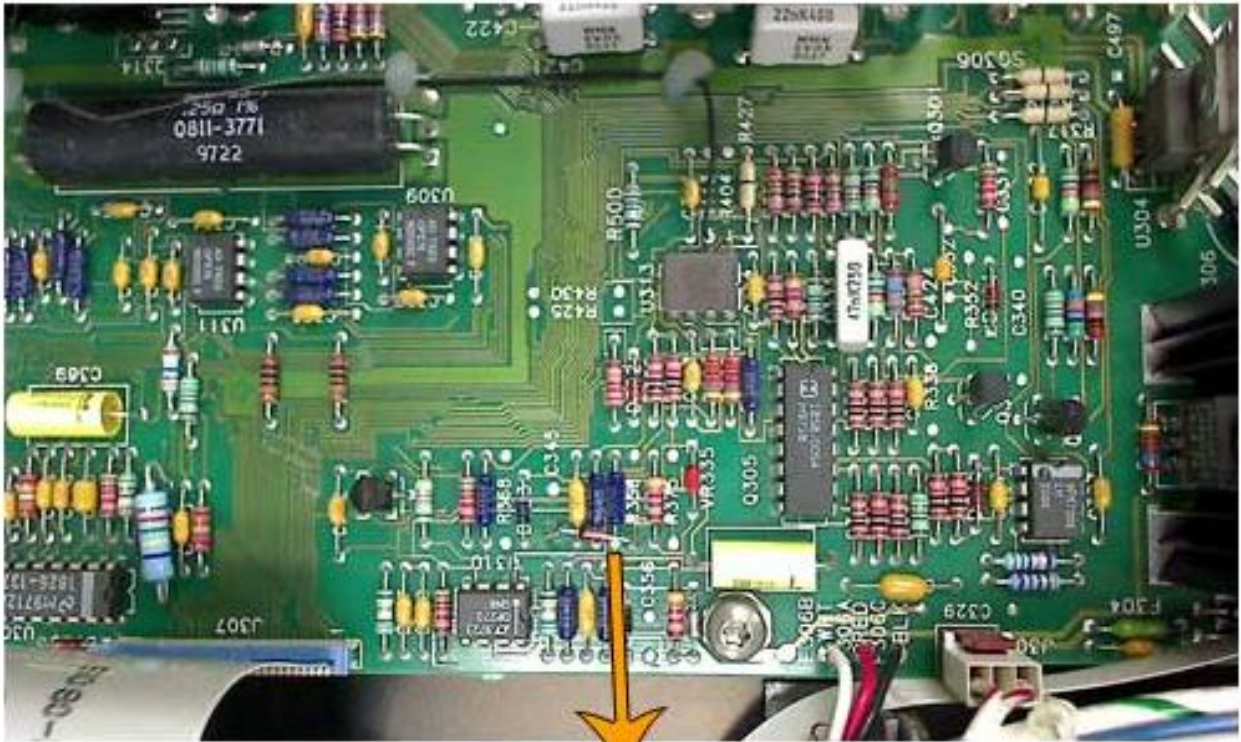


Figure 4. Surface-mount Board

