

S E R V I C E N O T E

SUPERSEDES: None

HP 3235A/E Switch Test Unit

Serial Numbers: 2829A01012 / 2843A03195

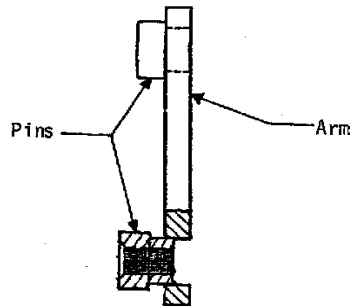
Link, HP P/N 03235-21203

Procedure to Replace Weak Links on the Mass Quick Interconnect Mechanism

Situation:

The aboved serialized 3235A/Es with the Mass Quick Interconnect Mechanism (Opt 590) may contain weak links. These links add stability and motion control to the Mass Quick Interconnect Handles. The adhesive bonding used to hold the link pin in the link arm may break loose. The result is that the link pin will work free of the link arm (See Figure 1).

The manufacturing process used to hold the link pin in the link arm has been changed. The link pin is now press-fit into the link arm.



Continued

Figure 1: 03235-21203

DATE: 19 December 1991

ADMINISTRATIVE INFORMATION

SERVICE NOTE CLASSIFICATION:			
MODIFICATION RECOMMENDED			
ACTION CATEGORY:	<input type="checkbox"/> IMMEDIATELY <input checked="" type="checkbox"/> ON SPECIFIED FAILURE <input type="checkbox"/> AGREEABLE TIME	STANDARDS:	LABOR: 0.5 Hour
LOCATION CATEGORY:	<input checked="" type="checkbox"/> CUSTOMER INSTALLABLE <input type="checkbox"/> ON-SITE <input checked="" type="checkbox"/> HP LOCATION	SERVICE INVENTORY:	<input type="checkbox"/> RETURN <input checked="" type="checkbox"/> SCRAP <input type="checkbox"/> SEE TEXT
AVAILABILITY:	PRODUCT'S SUPPORT LIFE	USED PARTS:	<input type="checkbox"/> RETURN <input checked="" type="checkbox"/> SCRAP <input type="checkbox"/> SEE TEXT
AUTHOR: CMC	ENTITY: 0900	RESPONSIBLE ENTITY: 0900	UNTIL: 01 January 1994
ADDITIONAL INFORMATION:			

Parts Required:

HP Part No.	Description	Qty
03235-21203	Link	2

Solution/Action:

If the above problem is encountered, replace the links following the procedure outlined below.

1. Remove the Quick Interconnect Assembly, if present. Follow the procedure outlined in the HP 3235A Switch/Test Unit Service Manual (HP P/N 03235-90010), Chapter 4 (Mainframe Parts and Disassembly), Section 4-19 (Front Frame or Quick Interconnect Assembly Removal).
2. Lower the Quick Interface Handles far enough to expose the two (2) 4x8mm screws (per link) which attach each link to the handle and mainframe. See Figure 2.
3. Remove the screws and washers, and replace each link.
4. Re-assemble.

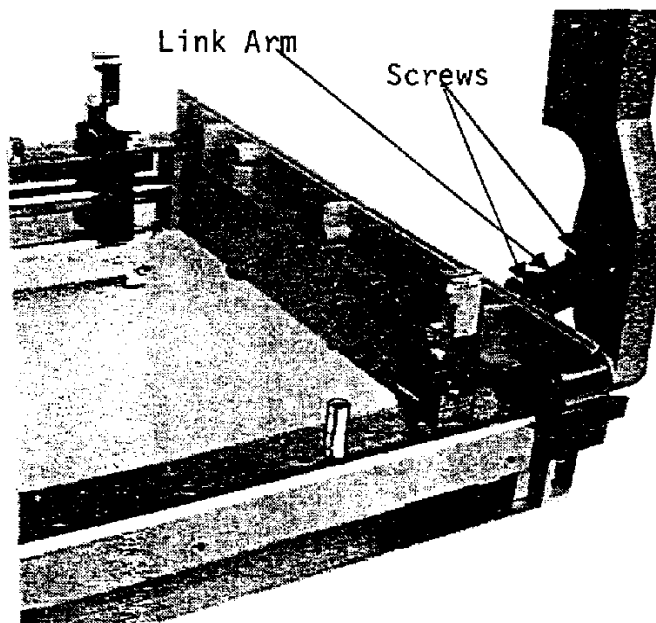


Figure 2: Location of Link Screws