

**3070-72-S**

**S E R V I C E N O T E**

Supersedes:  
NONE

**Agilent 3070 Board Test Systems**

Serial Numbers: [0000A00000 / 9999Z99999]  
Product Number R1080A

**POSSIBLE FIXTURE FINGERTIP PINCH HAZARD**

**WARNING**

**Agilent Technologies has identified a potential fixture safety hazard that may cause severe injury to operators of Agilent Technologies 3070 Board Test systems. To help our customers protect the safety of their employees, we are notifying you of the potential safety hazard and offering a solution.**

**To Be Performed By: Agilent-Qualified Personnel**

**ADMINISTRATIVE INFORMATION**

SERVICE NOTE CLASSIFICATION:			
<b>PRIORITY SAFETY</b>			
ACTION CATEGORY: IMMEDIATELY		STANDARDS: LABOR: 1.0 Hours	
LOCATION CATEGORY:	<input type="checkbox"/> CUSTOMER INSTALLABLE <input checked="" type="checkbox"/> ON-SITE <input type="checkbox"/> SERVICE CENTER	SERVICE INVENTORY: <input type="checkbox"/> RETURN <input checked="" type="checkbox"/> SCRAP <input type="checkbox"/> SEE TEXT	USED PARTS: <input type="checkbox"/> RETURN <input checked="" type="checkbox"/> SCRAP <input type="checkbox"/> SEE TEXT
AVAILABILITY:	ALWAYS	AGILENT RESPONSIBLE UNTIL: ALWAYS	
AUTHOR: CE      PRODUCT LINE: R1080A			
ADDITIONAL INFORMATION:			

© AGILENT TECHNOLOGIES, INC. 2002  
PRINTED IN U.S.A.



October 23, 2002

**Parts Required (one kit per fixture):**

<b>Kit Number</b>	<b>Description</b>	<b>Qty.</b>
<b>1014</b>	<b>Single-bank fixture retrofit kit, standard size</b>	<b>1</b>
<b>1116</b>	<b>Single-bank fixture retrofit kit, oversized</b>	<b>1</b>
<b>1811</b>	<b>Double-bank fixture retrofit kit, standard size</b>	<b>1</b>
<b>1812</b>	<b>Double-bank fixture retrofit kit, oversized</b>	<b>1</b>
<b>2014</b>	<b>Retrofit kit for fixtures with legacy style gate</b>	<b>1</b>
<b>CUSTOM</b>	<b>Retrofit kit for custom APG fixtures</b>	<b>1</b>

Agilent Board Test service representatives should be aware that these are not Agilent part numbers and thus they will not be stocked at GTLS. These parts will only be available through the Loveland Test Solutions Center or directly through APG Test Consultants. For information on obtaining a retrofit kit, please reference the process described in this Service Note under the heading 'Agilent Board Test representative logistics'.

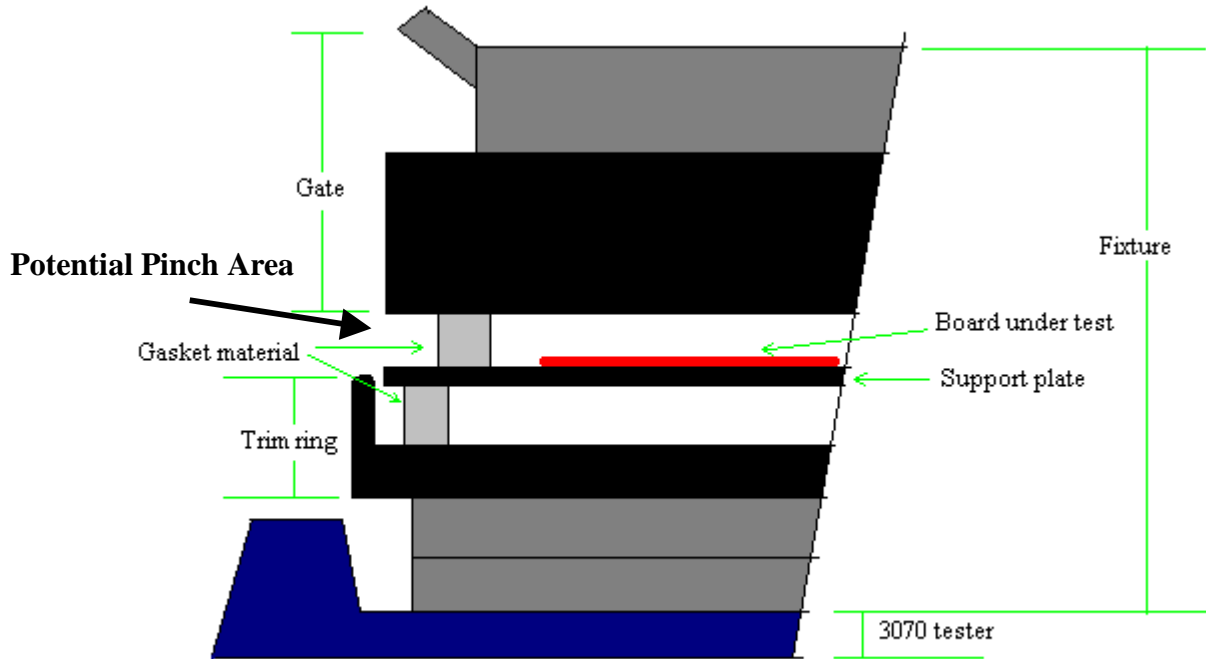
**Situation:**

Some board test fixtures produced for use with the Agilent 3070, supplied by APG Test Consultants, contain a potential fingertip pinch hazard. "Fingertip" refers to that portion of any finger from the first finger joint to the end of the finger. In some limited cases, someone with very small fingers may be able to expose a larger portion of a finger to the pinch hazard. The potential fingertip pinch hazard is limited to gated vacuum fixtures only. The potential pinch hazard is located between the top gate and the edge of the probe plate. This hazard relates to the trim ring (metal rim) around the base of the fixture at the edge of the probe plate.

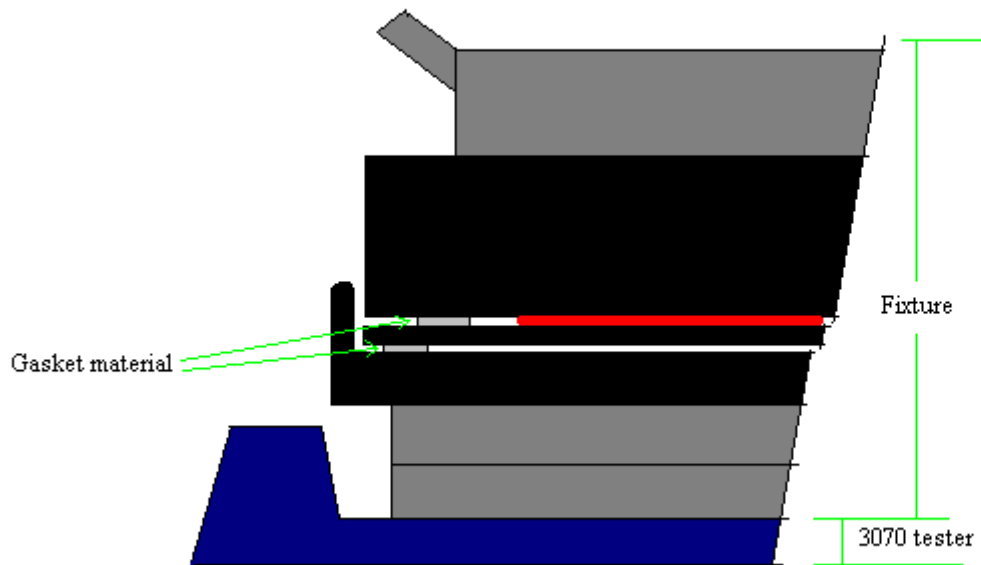
This potential hazard exists because the gate on the un-actuated fixture (vacuum off) rests above the top of the trim ring at a height greater than or equal to 4 mm. This gap is sufficient to allow an operator to insert a fingertip between the top gate and the probe plate when vacuum is off, and get severely pinched if the fingertip remains between the gate and the probe plate when the vacuum is actuated.

In the following diagrams, the front of the fixture is shown with this potential pinch area. This pinch hazard is not limited to the front of the fixture; it may be present at any location on the sides of the fixture or at the rear of the fixture.

**Fixture before vacuum actuation (side view):**



**Fixture after vacuum actuation (side view):**



In addition to this potential fingertip pinch hazard, other finger pinch hazards may also exist on these or other fixtures in use on Agilent 3070 systems. For more information regarding other potential hazards, reference the following documents located on the Agilent Technologies website:

- Safety Service Note 3070-28-S “Third party fixture handles could cause crushed fingers”, November 1996
- Application Note “Finger Pinch Hazard”, June 2002

The website contains a list of all Agilent 3070 In-Circuit Test Safety Service Notes. Review any document that may be applicable to a particular hazard present on a fixture.

Note: to access the safety notes, go to: <http://www.agilent.com>. Click on “Automated Test Equipment”, then choose “In-circuit Test,” and select “Technical Support.” Under “Related Links,” click on “3070 In-circuit Test” and then select “Safety Service Notes.”

**Solution/Action:**

Agilent Technologies will install a retrofit kit on all APG fixtures purchased from and supplied by Agilent Technologies that are specifically affected by the potential safety hazards outlined in this Safety Service Note. The parts and installation of this retrofit kit will be at no charge to the user for those fixtures supplied by Agilent Technologies, see the Parts Required section. Contact your local Agilent Technologies Board Test service representative for availability of the retrofit kit and for any questions concerning this Safety Service Note.

If you have a fixture purchased from APG, not Agilent, contact APG Test Consultants at (303) 702-0007 to coordinate retrofit kit installation.

Instructions for installing the retrofit kits, along with a list of contents, will be provided in the kits. Once a retrofit kit is installed on an affected fixture, confirmation must be emailed to TSCFIXTURES ([tscfixtures@agilent.com](mailto:tscfixtures@agilent.com)). Include the APG fixture number, located on the front left side of the fixture, in the confirmation. The APG fixture number follows the format: XXXX-F.

**Agilent Board Test representative logistics:**

The retrofit kits will not be stocked as Agilent parts. They will not be orderable through Agilent Technologies. Instead, the Agilent Test Solutions Center will contact all Agilent Board Test representatives who have been identified as contacts for affected Agilent customers. The appropriate retrofit kits will be sent directly to those Board Test representatives, who will perform the retrofit for each affected fixture supplied by Agilent Technologies. Any Agilent Board Test representatives who suspect that their customer has an affected fixture in their possession may contact the Agilent Test Solutions Center by sending email to TSCFIXTURES ([tscfixtures@agilent.com](mailto:tscfixtures@agilent.com)) if they have not been contacted to coordinate a retrofit.

**General Recommendations:**

To reduce the chances of creating a dangerous environment for our customers, the following actions are required:

1. Any time a new fixture is received for use on an Agilent Technologies 3070 or when an existing fixture is modified, the user must review the design and implementation for any potential hazards, including but not limited to, pinch hazards for system operators. If hazards exist, they must be corrected before the fixture is used.
2. Agilent Technologies recommends that the user immediately inspect all fixtures intended for use on an Agilent Technologies 3070 system for potential pinch hazards to the operator. The safe design of fixtures not purchased through and supplied by Agilent Technologies is the responsibility of the user of the Agilent Technologies 3070 systems. Agilent Technologies recommends that the user identify any fixtures with a potential pinch hazard and take appropriate corrective action to protect operators and remove any pinch hazards.