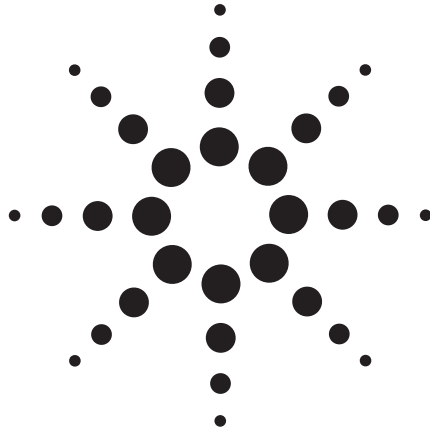


Essential Components of Data Acquisition Systems

Application Note 1386



Introduction

The purpose of any data acquisition system is to gather useful measurement data for characterization, monitoring, or control. The specific parameters of your application will dictate the resolution, accuracy, channel count, and speed requirements for a data acquisition system. There is a wide assortment of data acquisition components and solutions on the market, ranging from PC plug-in cards to data loggers to VXI mainframe systems. Before you start your search for a data acquisition solution, carefully analyze your application requirements, so you have a good understanding of how much capability and performance you need to purchase.

To help you choose a system that meets your needs, this article gives an overview of the components that make up a typical data acquisition system and examines some of the advantages and disadvantages of the different component types and configurations.



Agilent Technologies

Data Acquisition System Overview

Data acquisition is a term that encompasses a wide range of measurement applications, all of which require some form of characterization, monitoring, or control. No matter what the specific application, all data acquisition systems either measure a physical parameter (temperature, pressure, flow, etc.) or take a specific action (sound an alarm, turn on a light, etc.) based on the data received. A simplified block diagram of a typical data acquisition system is shown in Figure 1.

Measurement Hardware

A/D Converter: The A/D converter, a key element in any data acquisition system, is used to convert dc voltages acquired from the transducers into digital data. The measured voltages may correspond to a specific temperature, pressure, flow, or speed. While there are several types of A/D conversion techniques, they can generally be divided into two types: integrating and non-integrating. The integrating techniques measure the average input value over a defined time interval, thereby rejecting many noise sources. The non-integrating techniques sample the instantaneous value of the input (plus noise) during a very short time interval.

Digital Input: Some data acquisition systems contain a digital input card that senses a digital bit pattern to determine whether an external device is on or off. Digital input cards typically contain 8, 16, or 32 channels that can be used to monitor a number of external devices. For example, a digital input card can be connected to an operator panel to determine the position of various switches on the panel.

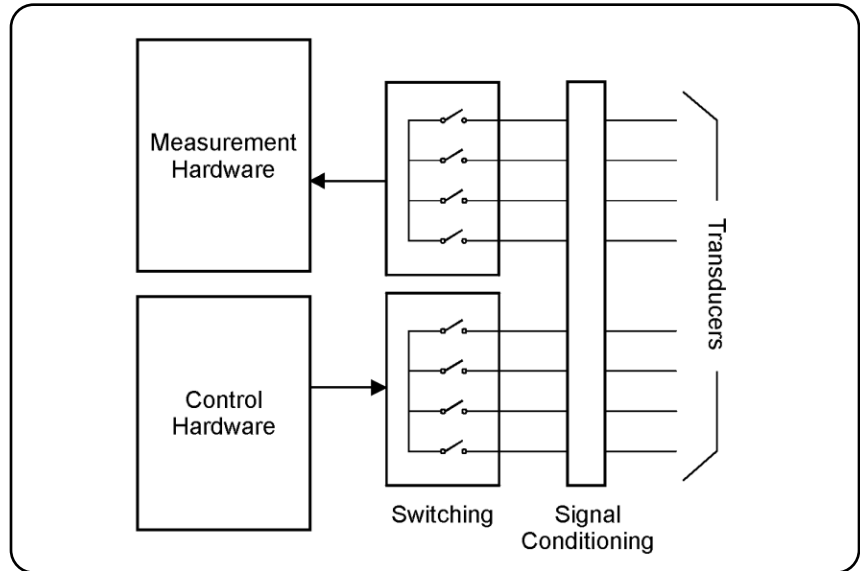


Figure 1. Typical Data Acquisition System

Counter: Some data acquisition systems contain a counter card that can be used to count events coming from an external device. For example, a counter card can be used to count the number of digital pulses (totalize), the duration of a digital pulse (pulse width), or the rate of digital pulses (frequency).

Control Hardware

Analog Output: Some data acquisition systems contain a D/A converter that performs the opposite function of an A/D converter. A D/A converter interprets commands from the control hardware and outputs a corresponding dc voltage or current. The output remains at this level until the control hardware instructs the D/A converter to output a new value. The voltage or current from the D/A converter can be used to control the speed of a fan, the position of a valve, or the flow rate of a pump. D/A converters are typically used in applications that require precise control of external devices.

Digital Output: Some data acquisition systems contain a digital output card that interprets commands from the control hardware and outputs a corresponding digital bit pattern. A digital output card is typically used to control lights, or send digital control signal to external devices.

Control Switching: For control applications, a switching card can be used to supply power to external fans, pumps, or valves by completing an electrical circuit. The switch card (often referred to as an *actuator*) operates much like a light switch to provide power to the external device. A switch card is typically used instead of a digital output card in those applications that require switching of high voltage and power. There are three common types of switches used in control applications. (See Figure 2).

Switching

Electromechanical switches, such as reed and armature relays, are common in low-speed applications. A key benefit is their ability to switch high voltage and current levels, but they are limited to switching rates of several hundred channels per second. Also, because they are mechanical devices, they will eventually wear out. Electronic switches, such as field-effect transistors (FETs) and solid-state relays, are typically used in high-speed applications. In addition to providing fast switching, they

contain no moving parts and therefore do not wear out. The disadvantage of electronic switches is that they typically cannot handle high voltage or current, and must be carefully protected from input spikes and transients.

Multiplexer Configuration: A multiplexer configuration is most commonly used for signal switching to a single measuring instrument. Generally, in the multiplexer configuration, only one signal is connected at a time to the measuring device, and the

switching is break-before-make (i.e., the input is disconnected before a new input is connected). Multiplexers are available in one-, two-, three-, and four-wire configurations as shown in Figure 3.

One-wire (or *single-ended*) multiplexers are used in applications where a common ground is practical. Two-wire (or *differential*) multiplexers are used in applications that have a differential (high and low) input. Three-wire (or *guarded*) multiplexers are designed for use

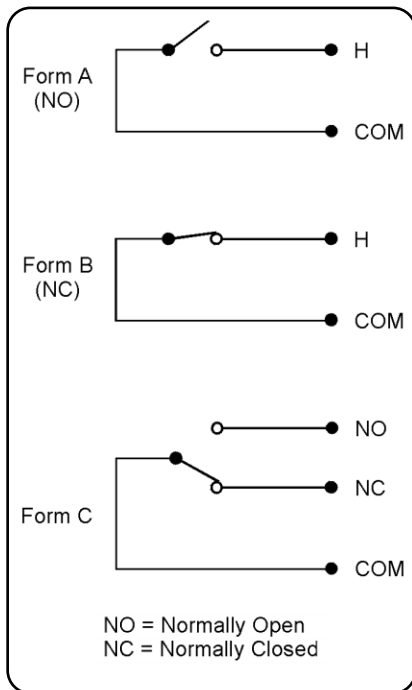


Figure 2. Simple Control Switch Configurations

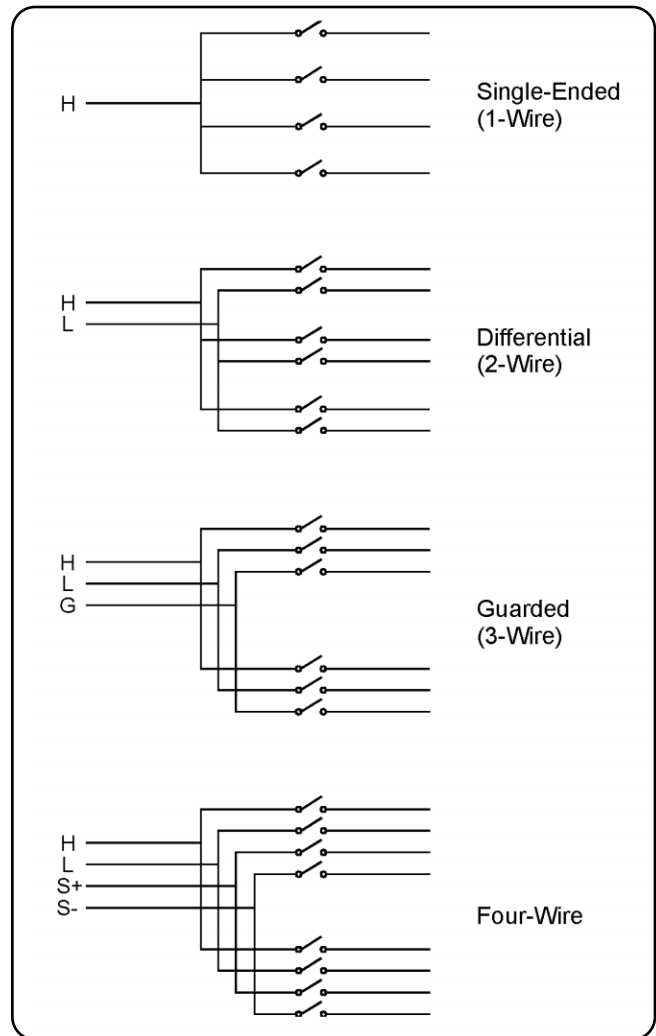


Figure 3. Multiplexer Configurations

with guarded multimeters to give the best accuracy for analog measurements. Four-wire multiplexers are used for four-wire measurements of transducers such as resistive temperature detectors (RTDs) that require a current source.

Matrix Configuration: A matrix configuration connects multiple inputs to multiple outputs, and therefore offers more switching flexibility than a multiplexer. A matrix configuration is typically used for switching low-frequency signals (less than 10 MHz). A matrix is arranged in rows and columns as shown in Figure 4. With a matrix configuration, any

one of the signal sources can be connected to any one of the test inputs. Be aware that with a matrix, it is possible to connect more than one source at the same time. Therefore, it is important for you to make sure you are not creating dangerous or unwanted conditions by these connections.

Signal Conditioning

Signal conditioning is used to amplify, attenuate, shape, or isolate signals from transducers before they are sent to the measurement hardware. Signal conditioning converts the signal to a form that is better measured by the system, or in some cases,

makes it possible to measure the signal at all. Examples of signal conditioning include:

- Amplification of small signals
- Attenuation of large signals
- Thermocouple compensation for temperature measurements
- Current sourcing for 2-wire and 4-wire resistance measurements
- Filtering to remove system noise
- Shunt resistors for current measurements

In some data acquisition systems, the signal conditioning components are incorporated internally within the system. These systems can measure dc voltage, ac voltage, resistance, frequency, current, and temperature on any input channel without the need for external signal-conditioning components.

Transducers

Transducers are devices that transform physical parameters (such as temperature, pressure, flow, and strain) into electrical parameters (such as voltage, current, and resistance). The electrical parameter is measured by measurement hardware and the result is converted to engineering units. For example, when measuring a thermocouple, the measurement hardware actually reads a dc voltage, which it then converts to a corresponding temperature using a mathematical algorithm. The following table shows several types of transducers with their corresponding output.

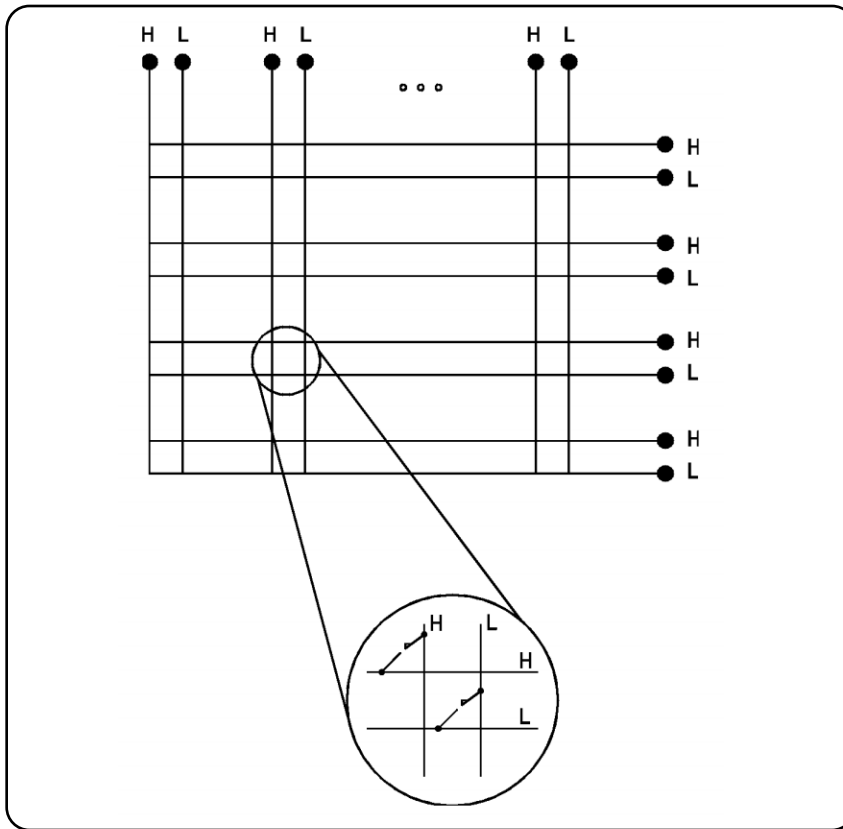


Figure 4. Matrix Configuration

Conclusion

By understanding the functions of the various components of a data acquisition system, you will be better able to evaluate the available options and choose the best system to meet your needs.

*by David Heintz
Agilent Technologies,
Multi-Industry Business Unit*

Biographical Information

David Heintz has been a technical writer at Agilent Technologies since 1984. He has written customer documentation for numerous test and measurement instruments, and his work has been recognized by the Society for Technical Communication.

Measurement	Typical Transducer Types	Typical Transducer Output
Temperature	Thermocouple	0 mV to 80 mV
	RTD	2-wire or 4-wire resistance from 5 Ω to 500 Ω
	Thermistor	2-wire resistance from 10 Ω to 1 M Ω
Pressure	Solid State	\pm 10 Vdc
Flow	Rotary Type Thermal Type	4 mA to 20 mA
Strain	Resistive Elements	4-wire resistance from 10 Ω to 10 k Ω
Events	Limit Switches Optical Counters Rotary Encoders	0V or 5V Pulse Train
Digital	System Status	TTL Levels

Agilent Technologies' Test and Measurement Support, Services, and Assistance

Agilent Technologies aims to maximize the value you receive, while minimizing your risk and problems. We strive to ensure that you get the test and measurement capabilities you paid for and obtain the support you need. Our extensive support resources and services can help you choose the right Agilent products for your applications and apply them successfully. Every instrument and system we sell has a global warranty. Support is available for at least five years beyond the production life of the product. Two concepts underlie Agilent's overall support policy: "Our Promise" and "Your Advantage."

Our Promise

Our Promise means your Agilent test and measurement equipment will meet its advertised performance and functionality. When you are choosing new equipment, we will help you with product information, including realistic performance specifications and practical recommendations from experienced test engineers. When you use Agilent equipment, we can verify that it works properly, help with product operation, and provide basic measurement assistance for the use of specified capabilities, at no extra cost upon request. Many self-help tools are available.

Your Advantage

Your Advantage means that Agilent offers a wide range of additional expert test and measurement services, which you can purchase according to your unique technical and business needs. Solve problems efficiently and gain a competitive edge by contracting with us for calibration, extra-cost upgrades, out-of-warranty repairs, and on-site education and training, as well as design, system integration, project management, and other professional engineering services. Experienced Agilent engineers and technicians worldwide can help you maximize your productivity, optimize the return on investment of your Agilent instruments and systems, and obtain dependable measurement accuracy for the life of those products.

By internet, phone, or fax, get assistance with all your test & measurement needs

Online assistance: www.agilent.com/find/assist

Phone or Fax**United States:**

(tel) 1 800 452 4844

Canada:

(tel) 1 877 894 4414

(fax) (905) 282 6495

China:

(tel) 800 810 0189

(fax) 1 0800 650 0121

Europe:

(tel) (31 20) 547 2323

(fax) (31 20) 547 2390

Japan:

(tel) (81) 426 56 7832

(fax) (81) 426 56 7840

Korea:

(tel) (82 2) 2004 5004

(fax) (82 2) 2004 5115

Latin America:

(tel) (305) 269 7500

(fax) (305) 269 7599

Taiwan:

(tel) 080 004 7866

(fax) (886 2) 2545 6723

Other Asia Pacific Countries:

(tel) (65) 375 8100

(fax) (65) 836 0252

(e-mail) tm_asia@agilent.com

Product specifications and descriptions in this document subject to change without notice.

© Agilent Technologies, Inc. 2002

Printed in the USA January 11, 2002

5988-5386EN



Agilent Technologies