

MPLS Fast Reroute Time

Agilent Technologies RouterTester Application Note

As the Internet evolves to become an alternative to the existing telephony network for real-time and delay sensitive traffic, carrier class routers reliability in the emerging Internet becomes ever more important. One aspect of this reliability is the ability of the network to robustly handle link or equipment failures cleanly. SONET equipment in the telephony network has handled this in the past using redundant rings. In the emerging Internet a scheme is required to provide a similar level of reliability without requiring redundant links and potentially without SONET equipment. This is where the MPLS "Fast Reroute" feature comes in.



Multiprotocol Label Switching "fast reroute" feature

MPLS Fast Reroute provides a mechanism for automatically rerouting traffic on an LSP if a node or link in the LSP fails. Fast rerouting is accomplished by pre-computing and pre-establishing a number of "protection LSPs" between the source and destination routers. Each link or node in an MPLS network can be protected via a protection LSP. This LSP provides an alternative path (detour) for the data being sent through primary LSPs that pass through the link or node should there be a failure. The LSP acts as a temporary tunnel through which all of the affected LSPs can be routed. The fail-over mechanisms are triggered by physical link or routing events that indicate that the link or node is down. In theory, a router should be able to reroute packets immediately after receiving the event. Ideally there should be no packet loss or interrupted services during the switchover. As shown in figure 1, protection LSPs is to safeguard the LSP between router A and router E. Each protection LSP might traverse through one or more LSRs that are not shown in the figure.

Service Providers are concerned with making their networks as robust and reliable as possible. Router and switch vendors will try and differentiate themselves based on how effective their fast reroute behavior is.

It is extremely important that the flow of labeled traffic is not disrupted when an LSP is being rerouted. Labeled traffic must be successfully transferred across a new LSP with minimal increase in latency or packet loss

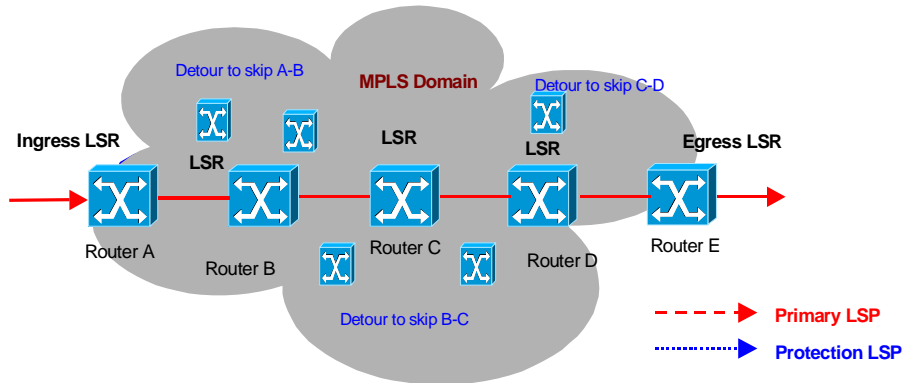


Figure 1: Detours established for an LSP using fast reroute

Fast reroute time test

The Agilent Technologies RouterTester generates RSVP-TE signaling messages that support the establishment of LSP tunnels. RouterTester has the ability to simulate link or router failure. RouterTester also simulates a complete OSPF network topology behind the SUT.

In the following section we will examine how RouterTester measures the performance of the SUT during the RSVP-TE LSP tunnel fast reroute process, including the reroute time and packet loss.

Procedure: The SUT establishes a primary LSP to a simulated router (behind RouterTester port 1A), as shown in figure 2. The SUT sends an RSVP PATH message to the simulated router and in response to the PATH messages, port 1A sends an RSVP RESV messages to the SUT. At the same time as the primary LSP tunnel is being established, the fast-reroute feature on the SUT automatically opens a 'protection' LSP through a different interface connecting to an alternative egress simulated router (RouterTester port 1B in this case).

A second simulated router (RouterTester port 2A) then generates data traffic to the SUT, which in turn forwards packets through the primary LSP tunnel. Port 1A verifies receiving the packets with the correct labels. To exercise the fast re-route features, a link failure is initiated on the primary LSP tunnel. The SUT performs the fast reroute process and directs the traffic flow to the backup LSP tunnel. RouterTester measures the time it takes the router to redirect the traffic, and whether any packets were loss in this transition.

Test Challenges

Based on the complexity of the MPLS fast reroute feature, a number of test challenges come to light. When a link or router failure occurs on the primary LSP tunnel, routers should reroute the data traffic over to the protection LSP tunnel. High performance routers are expected to perform this process-intensive calculation with no packet loss while maintaining wire rate throughput for forwarding traffic.

It is also important that the reroute time should be minimal with the data traffic being moved seamlessly to the backup LSP tunnel. The reroute time is the time it takes the router to reroute traffic to the backup LSP tunnel. The reroute time and the packet loss, if any, should be measured during the reroute process.

Measuring the effectiveness of a gigabit/terabit router's reroute process requires a tester that can generate and support MPLS signaling protocol (RSVP-TE or CR-LDP) to establish LSP tunnels. Data traffic must be sent across the same interface as signaling messages in order to exercise the LSP functionality and operation on the router. Also, to successfully measure the reroute time requires the ability to simulate link or router failure along the LSP tunnel path.

The operation of MPLS protocols such as RSVP-TE and CR-LDP relies on the internal gateway routing protocol (IGP). Hence, support for at least one of the IGP protocols (such as Open Shortest Path First (OSPF), or intermediate-system-to-intermediate-system (IS-IS)) and the ability to accurately simulate IGP topology is necessary in order to effectively test the MPLS capabilities and features of high performance gigabit/terabit routers.

IGP topology simulation is the ability to emulate a complete network behind the SUT to create 'multi-hop' LSP tunnels (see figure 2), which places more stress on the router than a single-hop LSP tunnel.

5 easy steps to achieve fast reroute time test:

1. After an OSPF topology is simulated behind RouterTester ports 1A and 1B (as shown in figure 2 and 3). (Note figure 4 shows how to connect port 1B to the simulated 'destination' router). The SUT signals establishment of the primary LSP tunnel to port 1A by sending an RSVP PATH message. Port 1A sends an RSVP RESV message back to the SUT. A sample configuration for Cisco and Juniper routers that accommodates the test is shown in figure 6.

2. The SUT is configured with the fast reroute option enabled. The SUT signals the establishment of a 'protection' LSP as a backup to the primary LSP. The SUT sends an RSVP PATH message to port 1B. Figure 5 shows how to enable both port 1A and 1B to establish RSVP session with the SUT.

3. Port 2A sends IP data traffic to the SUT, which in turn pushes labels and forwards the packets on the primary LSP tunnel and Port 1A verifies receiving the packets with the correct labels.

4. A link/router failure is initiated on RouterTester port 1A. The SUT performs the fast reroute process and redirects data traffic to port 1B (the backup LSP tunnel).

5. Performance metrics for traffic arriving at port 1A and 1B are compared to measure how quickly the router redirects traffic to the backup LSP tunnel

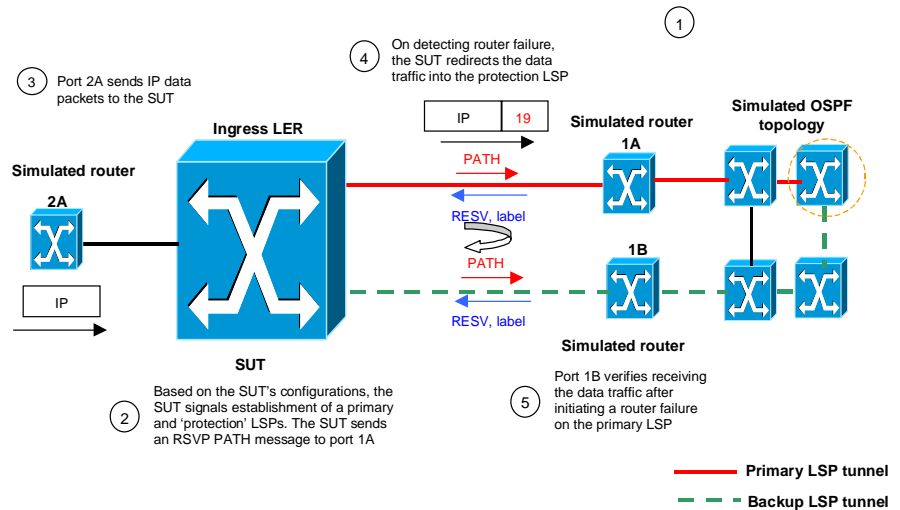


Figure 2: Fast reroute time test scenario

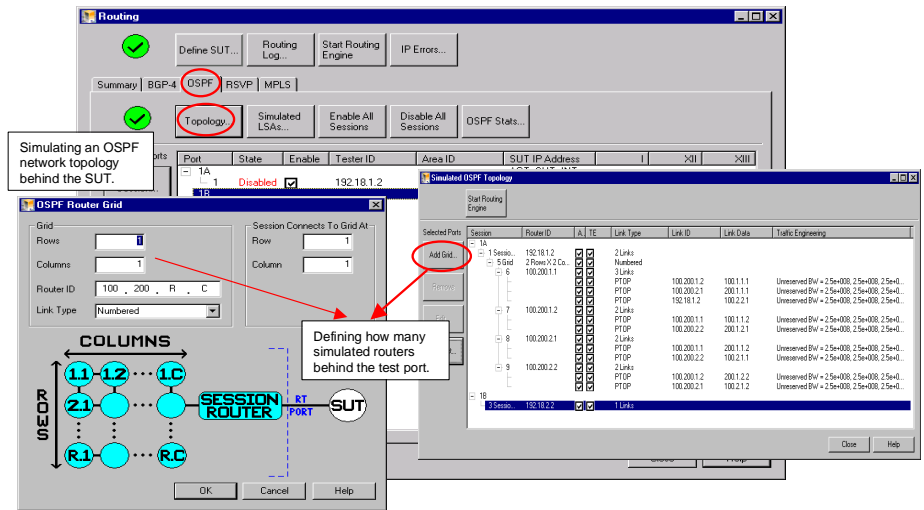


Figure 3: Adding a simulated OSPF network topology.

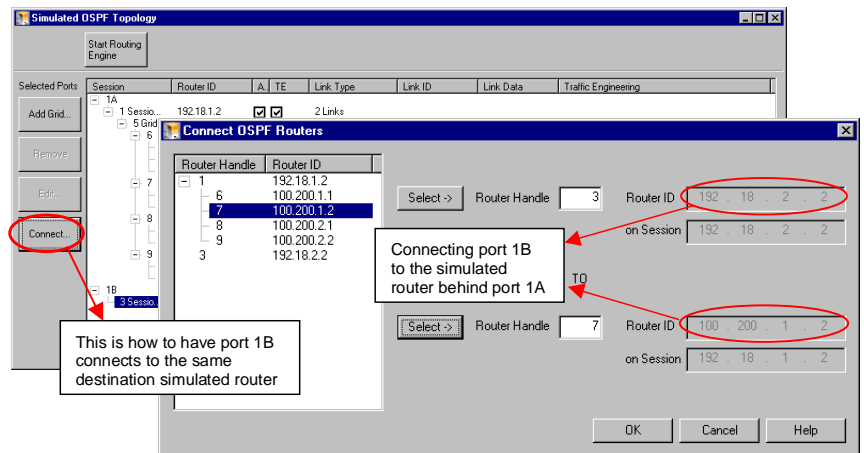


Figure 4: How to get port 1B to connect to the same destination simulated router as port 1A

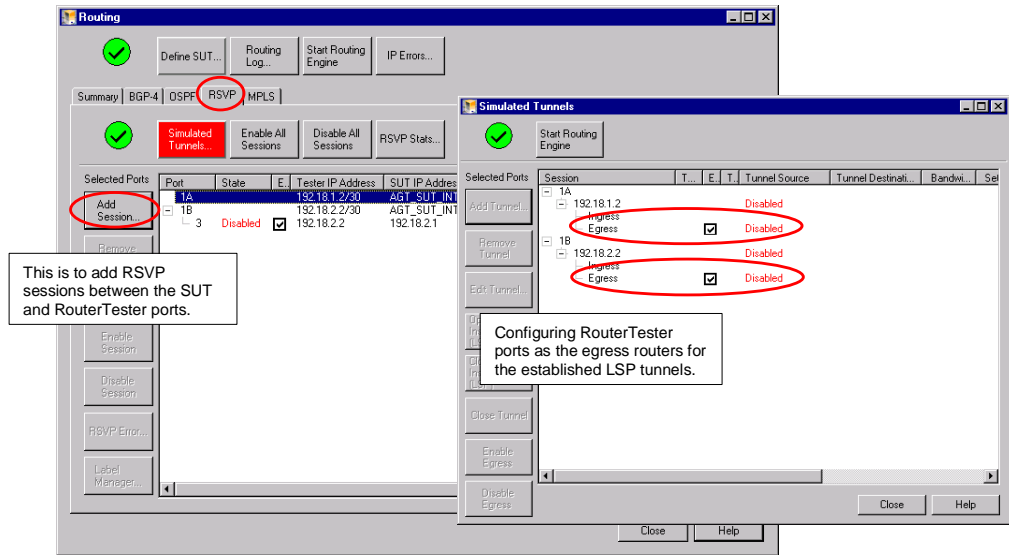


Figure 5: Adding RSVP sessions

```

protocols{
  rsvp{
    interface so-0/0/0;
  }
  mpls{
    label-switched-path to_rt_1A{
      to 100.200.1.2;
      fast-reroute;
    }
  }
  interface all;
}

```

```

!
interface Tunnell
 ip unnumbered Loopback0
 no ip directed-broadcast
 tunnel destination 100.200.1.2
 tunnel mode mpls traffic-eng
 tunnel mpls traffic-eng autoroute announce
 tunnel mpls traffic-eng priority 7 7
 tunnel mpls traffic-eng bandwidth 100
 tunnel mpls traffic-eng path-option 1 explicit name to-1A
 tunnel mpls traffic-eng fast-reroute

```

Figure 6: Sample configuration for Juniper and Cisco routers

This page intentionally left blank.

This page intentionally left blank.



Agilent IP Routing Test Solution

Agilent's IP Routing Test Solution product family includes Agilent QA Robot and Agilent RouterTester and the test software that runs on these platforms. The QA Robot provides all basic IP routing test capabilities, plus conformance, stress and functional testing. The RouterTester is enhanced with wire-speed traffic generation that enables comprehensive performance metrics and integrated routing protocol support..

www.Agilent.com/comms/IPTest

United States:

Agilent Technologies
Test and Measurement Call Center
P.O. Box 4026
Englewood, CO 80155-4026
1-800-452-4844

Canada:

Agilent Technologies Canada Inc.
5150 Spectrum Way
Mississauga, Ontario
L4W 5G1
1-877-894-4414

Europe:

Agilent Technologies
European Marketing Organisation
P.O. Box 999
1180 AZ Amstelveen
The Netherlands
(31 20) 547-9999

Japan:

Agilent Technologies Japan Ltd.
Measurement Assistance Center
9-1, Takakura-Cho, Hachioji-Shi,
Tokyo 192-8510, Japan
Tel: (81) 426-56-7832
Fax: (81) 426-56-7840

Latin America:

Agilent Technologies
Latin American Region Headquarters
5200 Blue Lagoon Drive, Suite #950
Miami, Florida 33126
U.S.A.
Tel: (305) 267-4245
Fax: (305) 267-4286

Asia Pacific:

Agilent Technologies
19/F, Cityplaza One, 1111 King's Road,
Taikoo Shing, Hong Kong, SAR
Tel: (852) 2599-7889
Fax: (852) 2506-9233

Australia/New Zealand:

Agilent Technologies Australia Pty Ltd
347 Burwood Highway
Forest Hill, Victoria 3131
Tel: 1-800-629-485 (Australia)
Fax: (61-3) 9272-0749
Tel: 0-800-738-378 (New Zealand)
Fax: (64-4) 802-6881

